


20 815 892



- 235mm projection
- pivotable spout 360°
- air-enriched flow
- height of mixer 370 mm
- height up to aerator 212 mm
- hole diameter spout 35 mm
- hole diameter valve 32 mm
- max. flow 5.7 l/min at 3 bar flow pressure
- lead-free
- This product can help a building meet the requirements of Green Building Rating Systems, e.g. LEED®, BREEAM®, DGNB

	Chrome	20 815 892-00 0010
	Brushed Platinum	20 815 892-06 0010
	Platinum	20 815 892-08 0010
	Durabronze (23kt Gold)	20 815 892-09 0010
	Dark Chrome	20 815 892-19 0010
	Brushed Durabronze (23kt Gold)	20 815 892-28 0010
	Matte Black	20 815 892-33 0010
	Brushed Champagne (22kt Gold)	20 815 892-46 0010
	Champagne (22kt Gold)	20 815 892-47 0010
	Brushed Chrome	20 815 892-93 0010
	Brushed Dark Platinum	20 815 892-99 0010

Recommended miscellaneous

AIR SWITCH Control button - Chrome 10 713 970-00

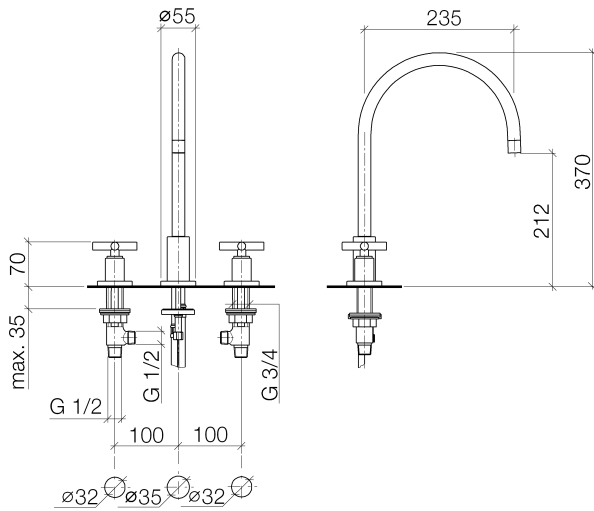


Recommended miscellaneous

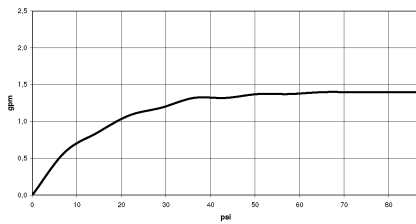
Dispenser with rosette - Chrome 82 444 970-00



20 815 892



Flow rate chart



Codes & Standards

ADA

ASME
A112.18.1/CSA
B125.1

California Energy
Commission
(CEC)

NSF/ANSI 372

NSF/ANSI/CAN
61



TARA Three-hole mixer - Chrome

TARA

20 815 892

Certificates

IAPMO_N-4976. IAPMO_4976 (6). IAPMO_6397.

20 815 892

